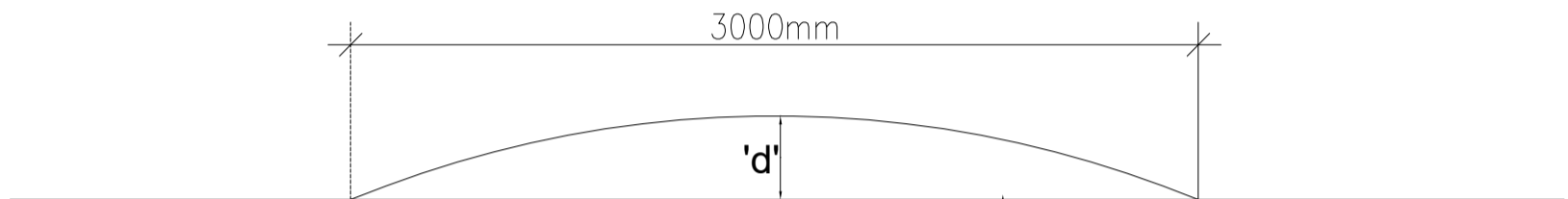


PLAN
NOT TO SCALE



'a'=100mm to 150mm 'b'=100mm to 150mm

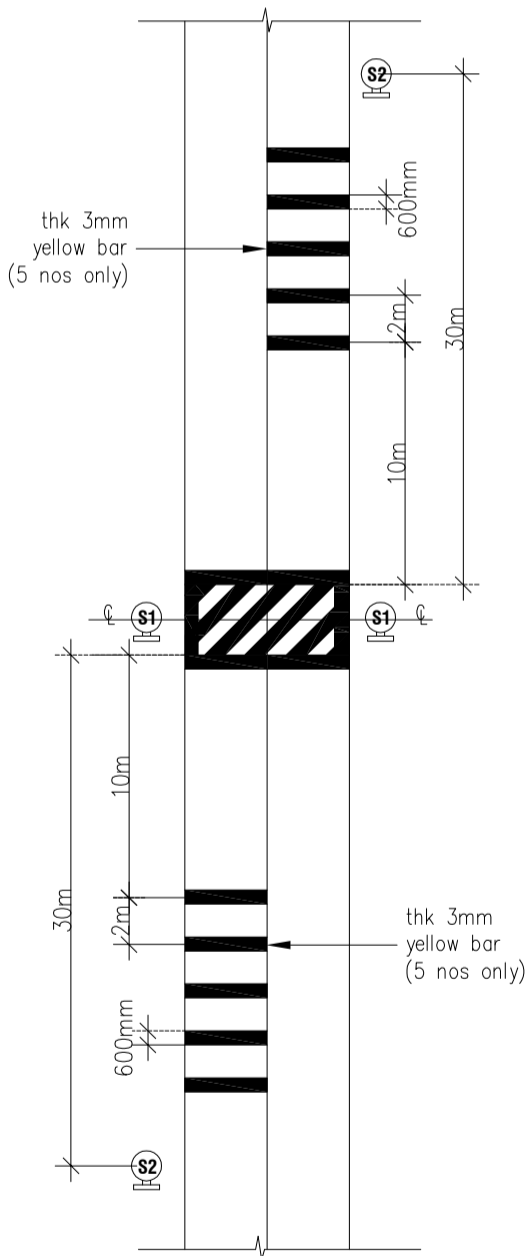
SECTION B-B
NOT TO SCALE



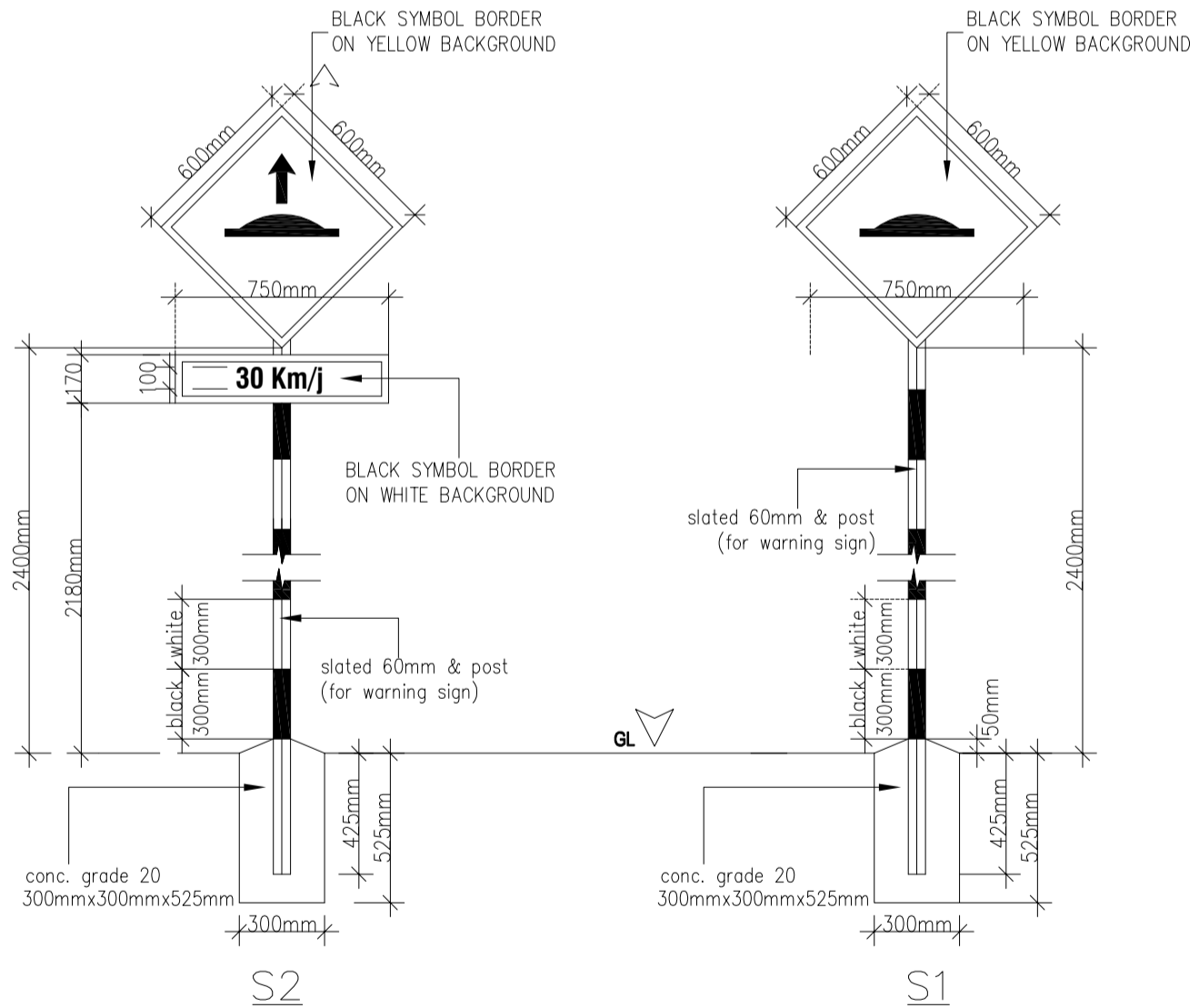
'd' = 100mm to 150mm

SECTION A-A
NOT TO SCALE

compacted premix
with 3 tonne to
4 tonne roller.



LAYOUT PLAN
NOT TO SCALE



POSITION WARNING SIGN
NOT TO SCALE



LUKISAN PIAWAIAN JABATAN KEJURUTERAAN
MAJLIS BANDARAYA SEBERANG PERAI

Tajuk Lukisan: Butiran Bonggol Jalan (Jenis A)

MBSP/KEJ/LK/RD/12/Rev.1(13/01/22)

Dilukis: Jabatan Kejuruteraan

Disemak: Pengarah
Jabatan Kejuruteraan

Skala Lukisan: Tiada Skala