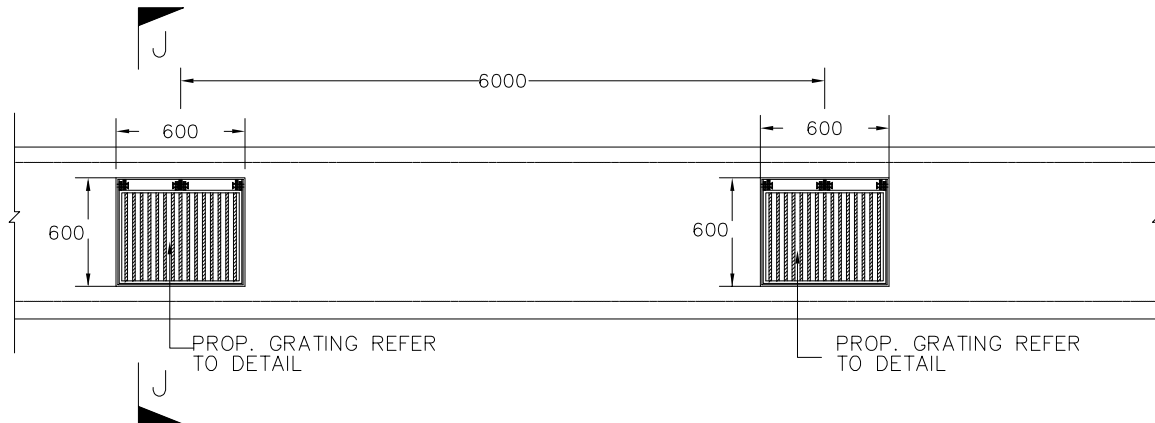
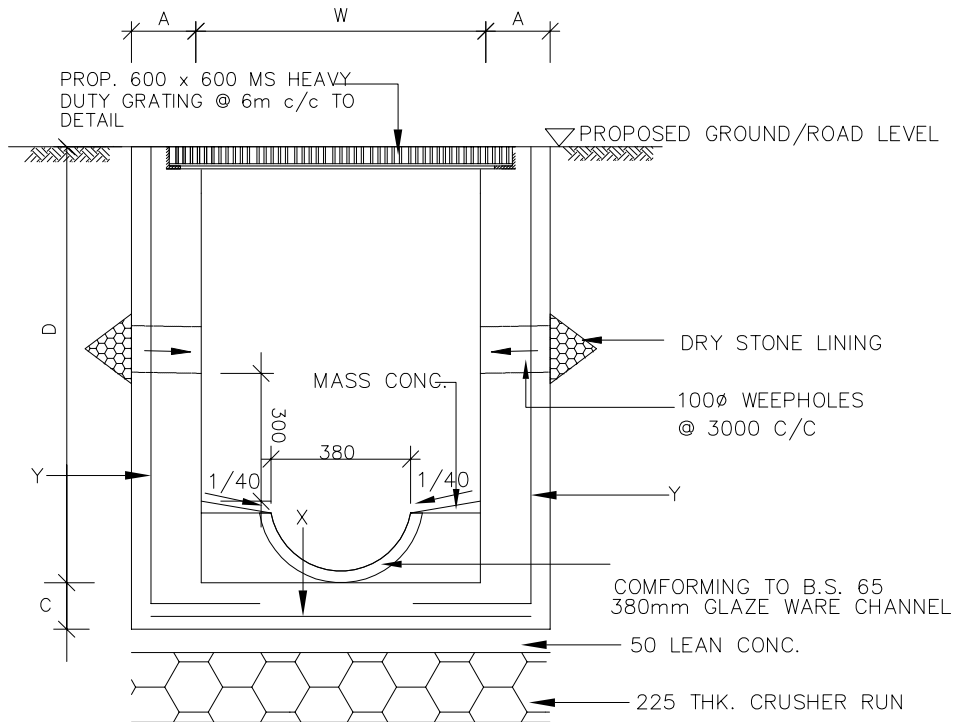


WIDTH	DEPTH (MAX)	WALL THICKNESS	SLAB THICKNESS			REINFORCEMENT			ALLOWABLE BACKFILL
W(mm)	D(mm)	A(mm)	B(mm)	C(mm)	V	X	Y	Z	
600	1000	100	100	100	A10	A10	A10	2m	

REINFORCEMENT TABLE FOR CAST IN SITU BOX CULVERT



TYPICAL PLAN VIEW OF PROPOSED CONC. SLAB ON TOP OF PROPOSED 600 WIDTH CONCRETE DRAIN



TYPICAL SECTION OF 600 WIDTH CAST IN SITU DRAIN C/W HEAVY DUTY MS. GRATING @ 6m c/c (J - J)

NOTES:

1. CLEAR COVER FOR REINFORCEMENT = 30mm (EARTH FACE)
2. GRADE C25 FOR CONCRETE TO BE USED FOR THE CAST-IN-SITU DRAIN
3. ANCHORAGE & LAP LENGTH = 44 ϕ
4. DESIGN SURCHARGE LOAD IS 22kPa (TRAFFIC LOADING)



LUKISAN PIAWAIAN JABATAN KEJURUTERAAN
MAJLIS BANDARAYA SEBERANG PERAI

Tajuk Lukisan: Butiran Cast-In-Situ Box-Culvert
with Heavy Duty MS Grating
600mm x 600mm

MBSP/KEJ/LK/RD/16/Rev.0

Dilukis: Jabatan Kejuruteraan

Disemak: Pengarah
Jabatan Kejuruteraan

Skala Lukisan: Tiada Skala