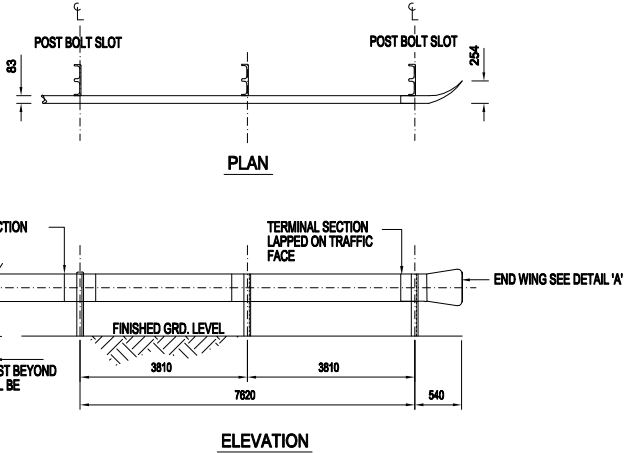
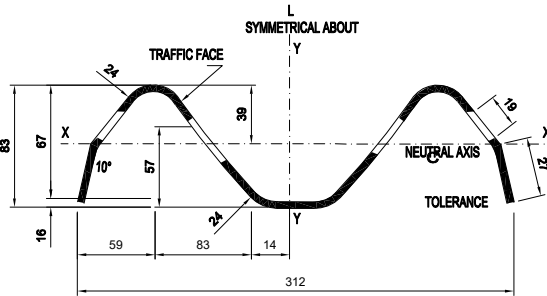
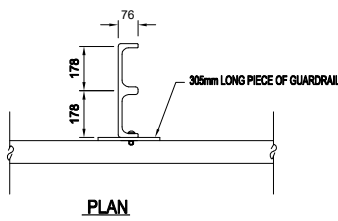


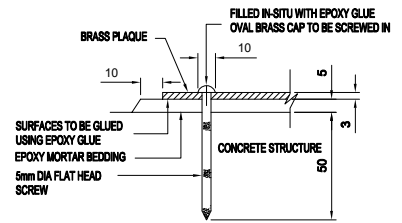
**Guardrail-Single Mounted Type**



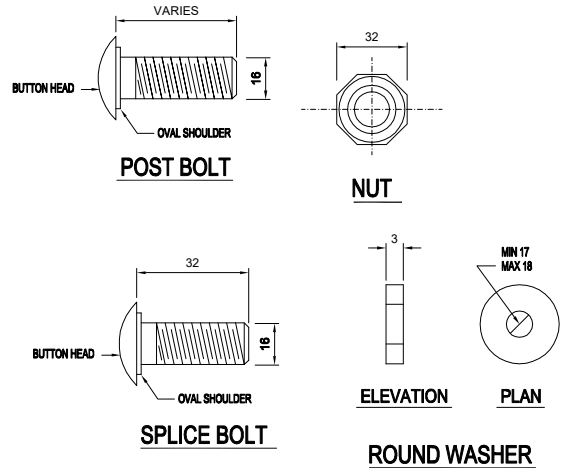
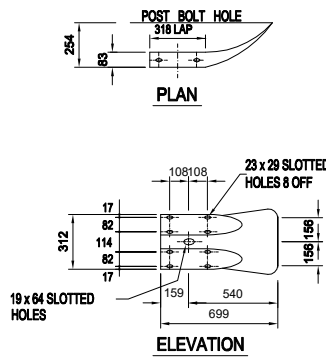
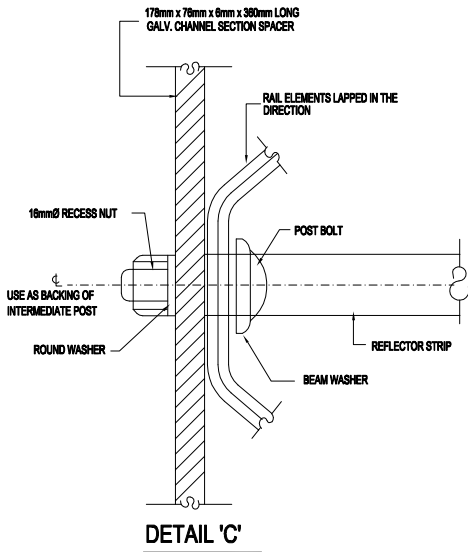
**TERMINAL UNIT (TYPE 1)**



**BEAM SECTION**



**DETAILS OF PLAQUE SCREW**



1. ALL DIMENSIONS ARE IN MILLIMETRES UNLESS OTHERWISE STATED
2. ALL POST SPACING SHALL BE 3.810m EXCEPT THAT THE TERMINAL SECTIONS OR UNLESS OTHERWISE STATED.
3. THE POST SPACING SHALL BE ANCHORED TO GRADE 20/40 CONC. BLOCK IN IN THE GROUND OF SIZE 915mm x 400mm DIA.
4. MATERIAL SPECIFICATION SHALL FOLLOWS THE ARAHAN TEKNIK (JALAN)1/05
5. THE WELD BETWEEN THE CHANNEL SECTION AND BASE PLATE IN THE CASE OF GUARDRAIL FOR ROCK FOUNDATION SHALL BE CARRIED OUT IN THE FACTORY BEFORE
6. THE STEEL POST SHALL HAVE 4 NOS. OF BOLT HOLES 16mm DIA. THIS IS TO ENSURE THE POST CAN BE ORIENTED IN THE DIRECTION OF TRAFFIC FLOW.
7. BEAM TO BE ERRECTED ON A RADIUS OF LESS THAN 45m SHALL BE SHOP CURVED TO APPROPRIATE CURVATURE OF THE INSTALLATION.



LUKISAN PIAWAIAN JABATAN KEJURUTERAAN  
MAJLIS BANDARAYA SEBERANG PERAI

Tajuk Lukisan: Butiran Guardrail -Single Mounted Type

MBSP/KEJ/LK/RD/18/Rev.0

Dilukis: Jabatan Kejuruteraan

Disemak: Pengarah  
Jabatan Kejuruteraan

Skala Lukisan: Tiada Skala