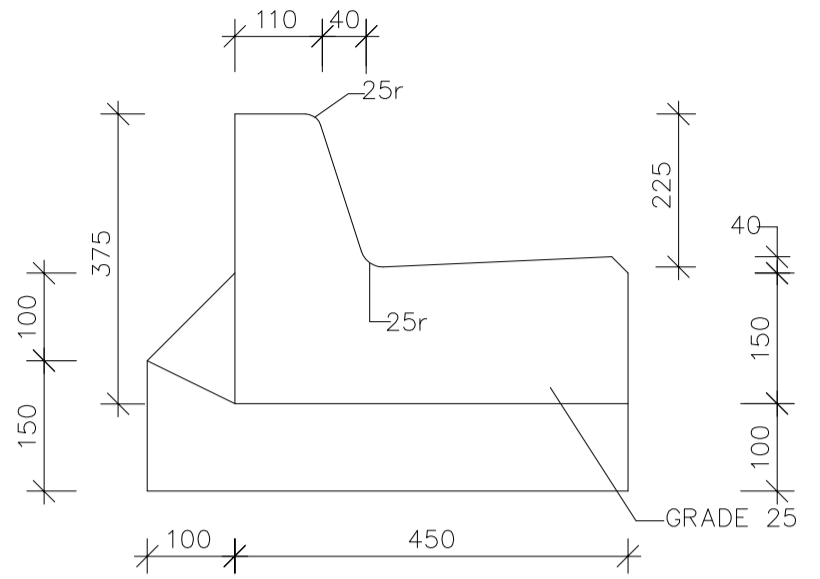
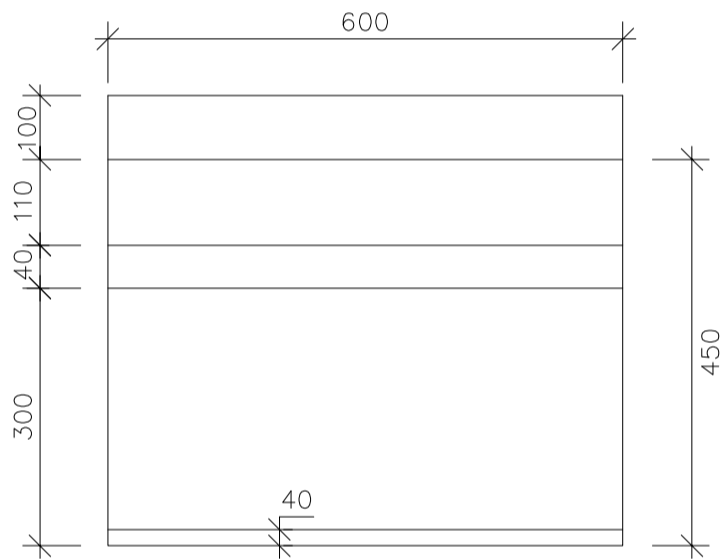


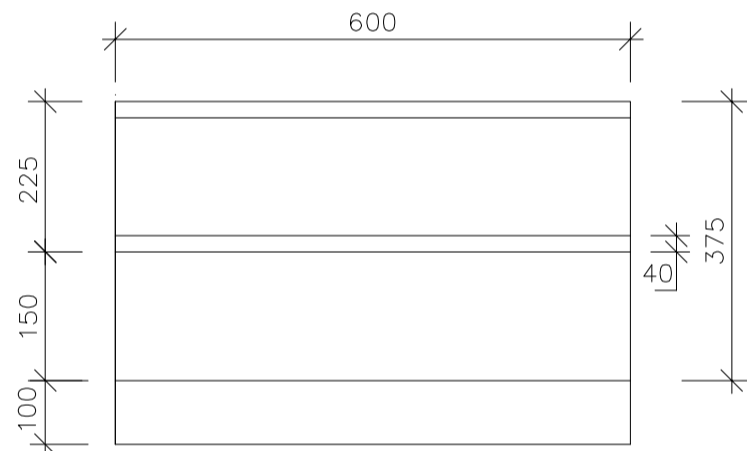
ISOMETRIC PROJECTION KERB TYPE B2
NOT TO SCALE



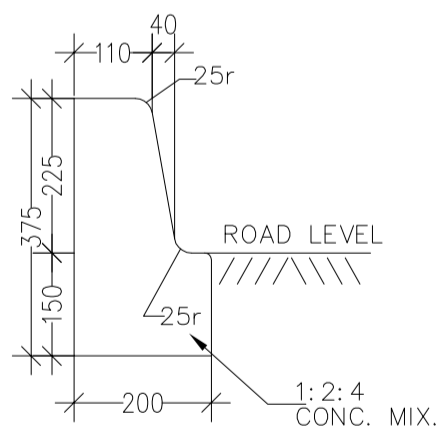
DETAIL OF KERB TYPE B2
NOT TO SCALE



PLAN VIEW OF KERB TYPE B2
NOT TO SCALE



ELEVATION OF KERB TYPE B2
NOT TO SCALE



TYPICAL SECTION
OF KERB TYPE B1
NOT TO SCALE



LUKISAN PIAWAIAN JABATAN KEJURUTERAAN
MAJLIS BANDARAYA SEBERANG PERAI

Tajuk Lukisan: Butiran Bebendul Jalan Jenis B1 & B2

MBSP/KEJ/LK/RD/25/Rev.0

Dilukis: Jabatan Kejuruteraan

Disemak: Pengarah
Jabatan Kejuruteraan

Skala Lukisan: Tiada Skala