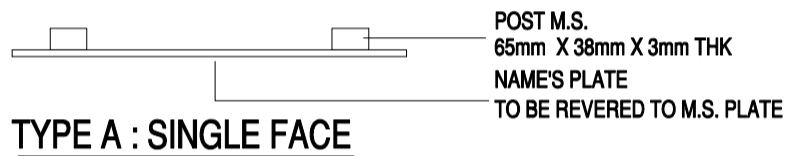
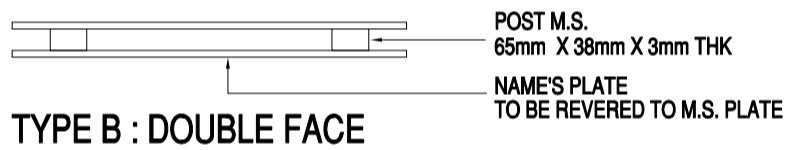


FRONT ELEVATION

SIDE ELEVATION



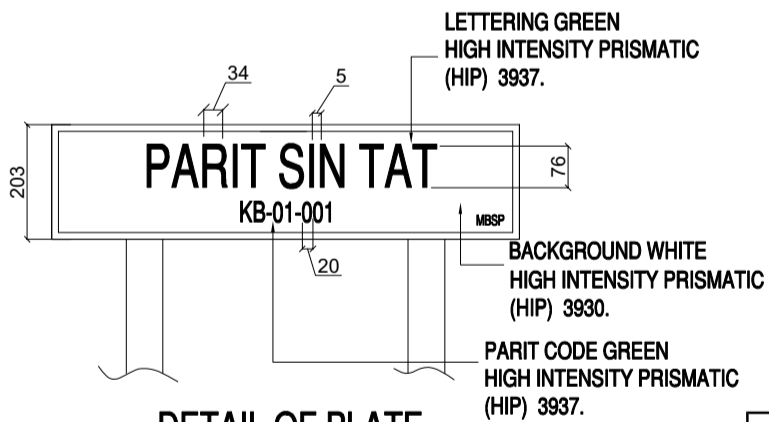
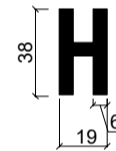
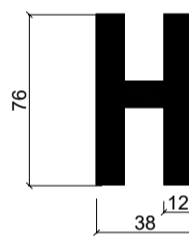
TYPE A : SINGLE FACE



TYPE B : DOUBLE FACE

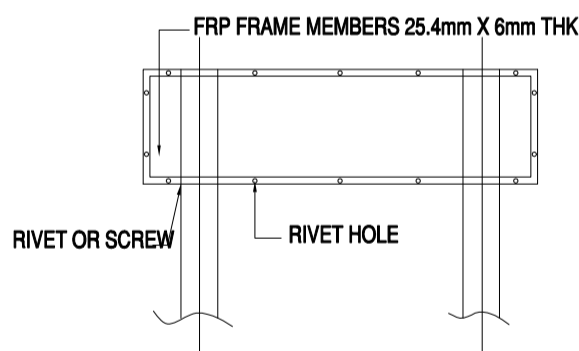
TOP ELEVATION

A Y V
A B C D E F G H I J K L N O P Q R S T U X Z
M W I

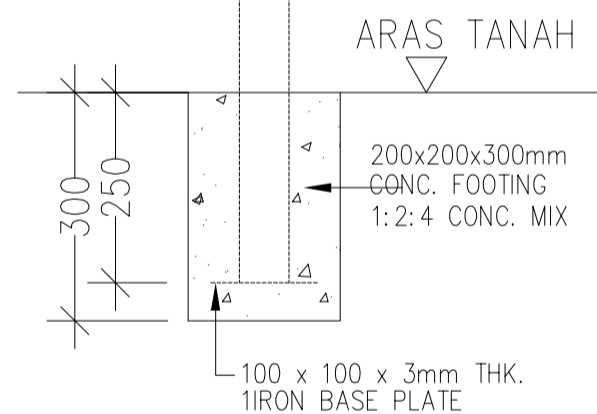


DETAIL OF PLATE

SIZE	LENGTH X	LENGTH OF THE PLATE
A	100	700 - 849
B	125	850 - 1049



DETAIL OF FRAME



BUTIRAN X

NOTE:
3M HIGH INTENSITY PRISMATIC (HIP) COLOR CODE OR EQUIVALENT
WHITE -HIGH INTENSITY PRISMATIC (HIP) 3930.
GREEN -HIGH INTENSITY PRISMATIC (HIP) 3937.
POST MS PLATE MEMBER SHALL PAINTED WITH PREMIRE AND 2ND FINISHING SYNTHENTIC RESIN PAINT



LUKISAN PIAWAIAN JABATAN KEJURUTERAAN
MAJLIS BANDARAYA SEBERANG PERAI

Tajuk Lukisan: Butiran Patil Nama Parit MBSP

MBSP/KEJ/LK/RD/26/Rev.0

Dilukis: Jabatan Kejuruteraan

Disemak: Pengarah
Jabatan Kejuruteraan

Skala Lukisan: Tiada Skala