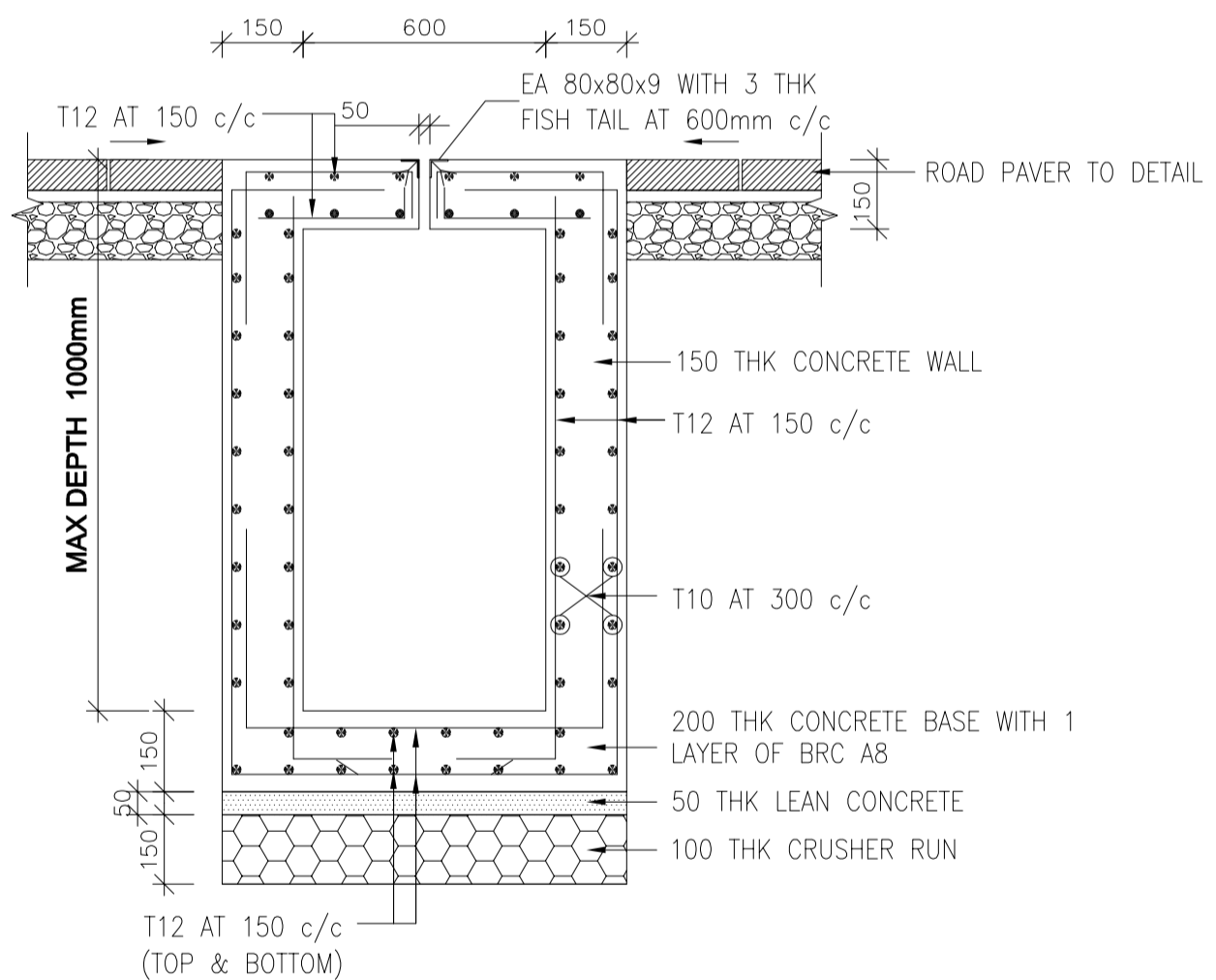


TYPICAL PLAN VIEW OF PROPOSED CONC. SLOT DRAIN WITH OPENING 6m C/C



EXAMPLE: SLOT DRAIN



TYPICAL SECTION OF CAST IN SITU SLOT DRAIN C/W HEAVY DUTY MS. GRATING @ 6m c/c (A - A)

**NOT TO SCALE**

NOTES:

1. CLEAR COVER FOR REINFORCEMENT = 30mm (EARTH FACE)
2. GRADE C25 FOR CONCRETE TO BE USED FOR THE CAST-IN-SITU DRAIN
3. ANCHORAGE & LAP LENGTH = 44Ø
4. DESIGN SURCHARGE LOAD IS 22kPa (TRAFFIC LOADING)



LUKISAN PIAWAIAN JABATAN KEJURUTERAAN  
MAJLIS BANDARAYA SEBERANG PERAI

Tajuk Lukisan: Butiran Parit Jenis 'Slot Drain'

MBSP/KEJ/LK/RD/29/Rev.0

Dilukis: Jabatan Kejuruteraan

Disemak: Pengarah  
Jabatan Kejuruteraan

Skala Lukisan: Tiada Skala